

**B L A C K L I N E**

J U S T P O W E R

S I M P L Y S A F E

**„THIS IS WHAT OUR  
ENGINEERS HAD IN MIND  
WHEN THEY DEVELOPED  
THE BLACKLINE.“**



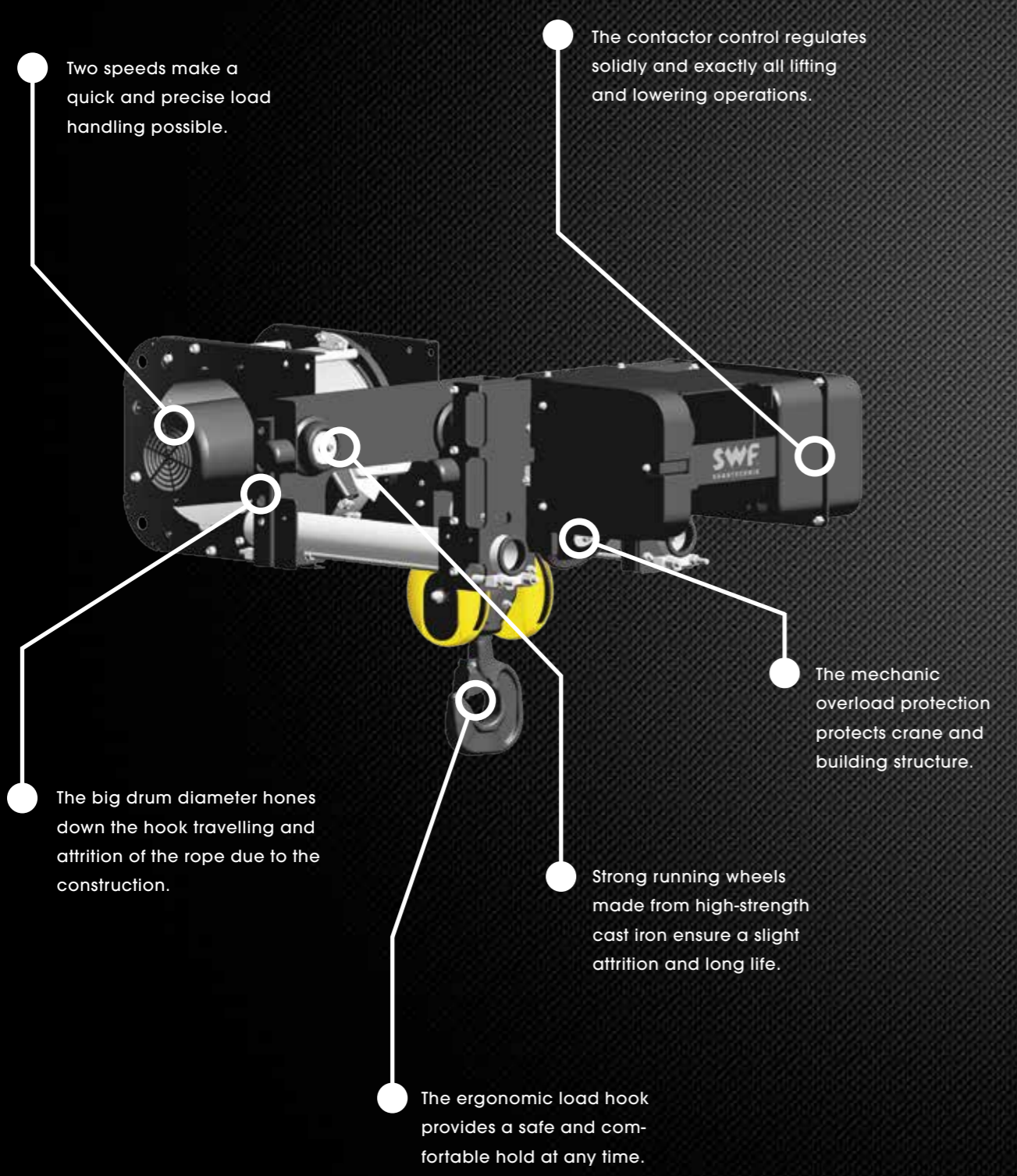
## **BLACKLINE**

Sometimes performance only comes up if you are focused on the basics.

This is exactly the idea which is behind the **BLACKLINE** by SWF Krantechnik.

A vast number of established and top-rated components arisen from the own engineering design with outstanding technologies are assigned for power and a long life. All components and products made from this meet the European safety standards. Furthermore, you can trust the experience and know-how of a worldwide operating company in a German tradition.

The **BLACKLINE** by SWF Krantechnik sets its priorities on a high quality and attractive cost effectiveness. Reliable power and an elaborate technology make the **BLACKLINE** unique for all who want to avoid bigger investments in a high-quality crane.



Two speeds make a quick and precise load handling possible.

The contactor control regulates solidly and exactly all lifting and lowering operations.

The big drum diameter hones down the hook travelling and attrition of the rope due to the construction.

The mechanic overloading protection protects crane and building structure.

Strong running wheels made from high-strength cast iron ensure a slight attrition and long life.

The ergonomic load hook provides a safe and comfortable hold at any time.

## NOVA BLACKLINE

The **BLACKLINE** is constructed for the economic lifting of charges. It is safe, reliable and based on a proven technological design. It combines a strong hoist with an attractive price.

High quality, long life and performance are the **NOVA BLACKLINE**'s genetic basis. It covers a wide spectrum of load handling with an ultimate load of 12.5 tons. The **BLACKLINE** is an uncompromising and robust powerhouse, reduced to the max.

**NOVA BLACKLINE - JUST POWER, SIMPLY SAFE**



# NOVA BLACKLINE

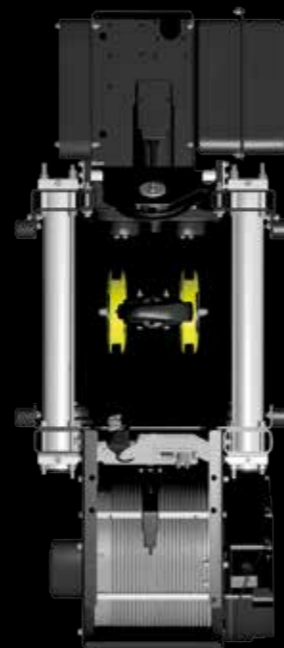
The **BLACKLINE** meets the high demands of a SWF hoist in safety, quality and reliability.

The crane construction based on the essentials provides a robust and hardwearing technology for an attractive price.

The **NOVA BLACKLINE** offers an easy handling in installation and maintenance.

Its fine electric wire rope hoist also meets the high European safety standards.

- ✓ **Ultimate load from 2 to 12.5 tons and a lifting height up to 12 meters**
- ✓ **Optimal space and land utilization due to compact headroom and optimum hook dimension**
- ✓ **Minimized attrition of rope by a big drum diameter**
- ✓ **Robust contactor control for hoist motor and trolley motor**
- ✓ **Mechanical overload protection protects crane and building structure**
- ✓ **Plug & play - quick and easy installation and maintenance**
- ✓ **Overheat protection at hoist motor prevents his damage**



Typ	Load (kg)	FEM	ISO	Lifting height (m)	Lifting speed (m/min)	Trolley speed (m/min)
NOVA BB	2,000	2m	M5	6	5/0.8	20/5
NOVA BB	2,000	2m	M5	9.5	5/0.8	20/5
NOVA BB	2,500	3m	M6	6	5/0.8	20/5
NOVA BB	2,500	3m	M6	9.5	5/0.8	20/5
NOVA BB	3,200	2m	M5	6	5/0.8	20/5
NOVA BB	3,200	2m	M5	9.5	5/0.8	20/5
NOVA BC	4,000	3m	M6	6	5/0.8	20/5
NOVA BC	4,000	3m	M6	9	5/0.8	20/5
NOVA BC	5,000	2m	M5	6	5/0.8	20/5
NOVA BC	5,000	2m	M5	9	5/0.8	20/5
NOVA BC	6,300	1Am	M4	6	4/0.7	20/5
NOVA BC	6,300	1Am	M4	9	4/0.7	20/5
NOVA BD	8,000	3m	M6	9	5/0.8	20/5
NOVA BD	8,000	3m	M6	12	5/0.8	20/5
NOVA BD	10,000	2m	M5	9	5/0.8	20/5
NOVA BD	10,000	2m	M5	12	5/0.8	20/5
NOVA BD	12,500	1Am	M4	9	4/0.7	24/6
NOVA BD	12,500	1Am	M4	12	4/0.7	24/6

